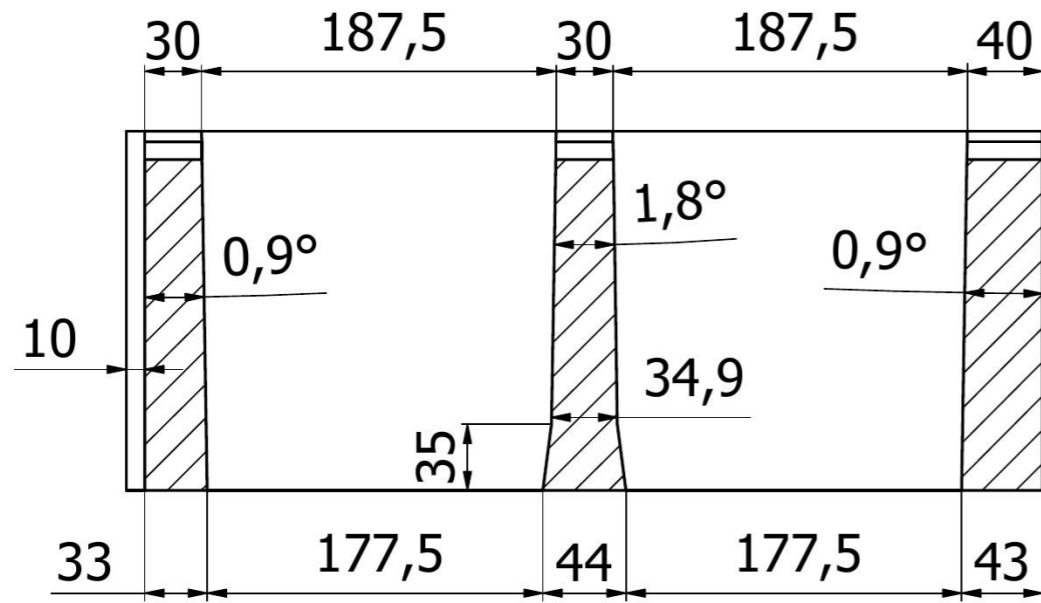
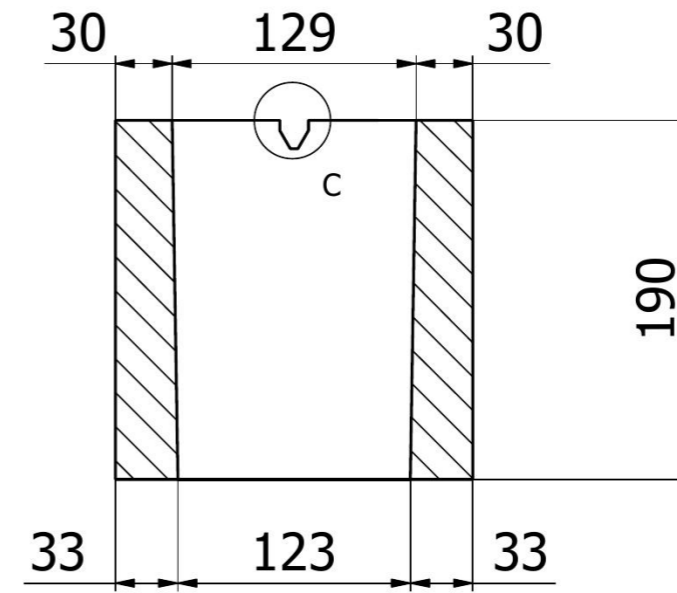


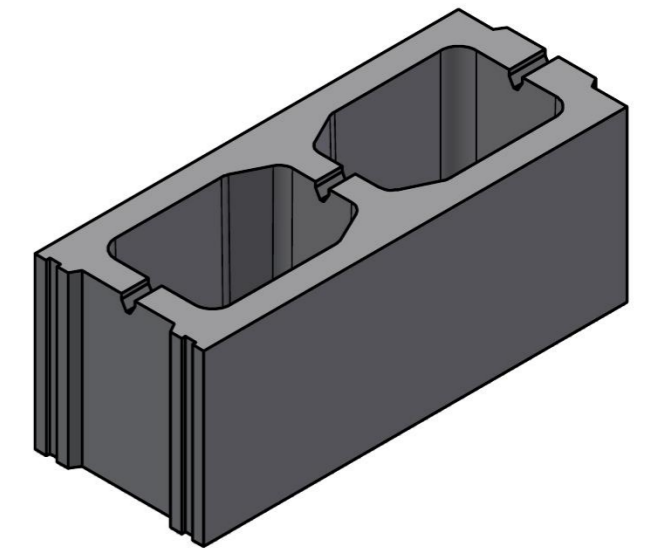
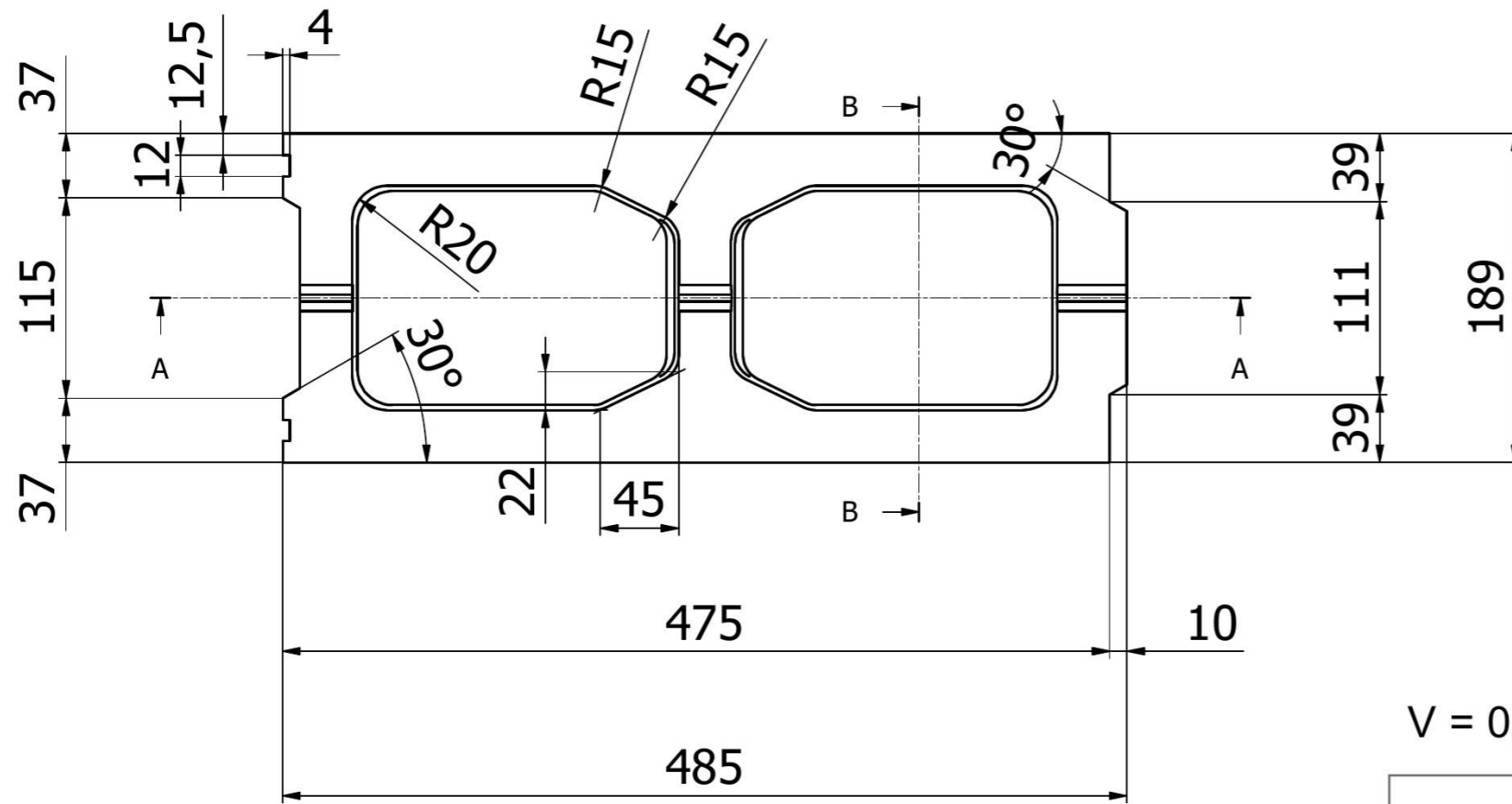
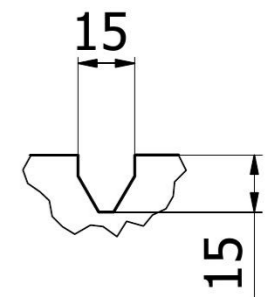
A-A (1:4)



B-B (1:4)



C (1:2)



$V = 0,008623482 \text{ m}^3$

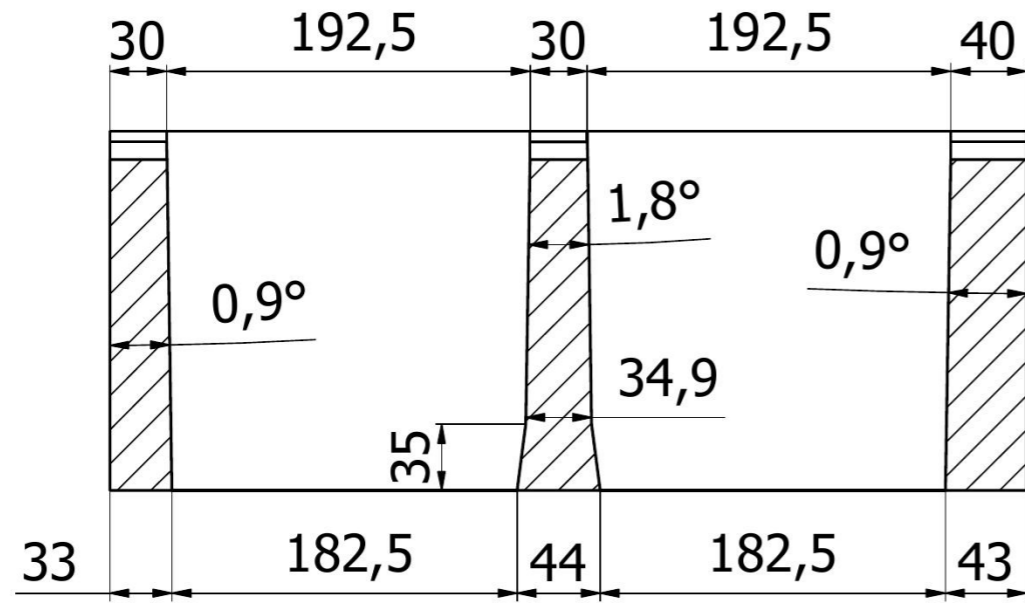


**190mm 485 Series - Tongue & Groove Block**

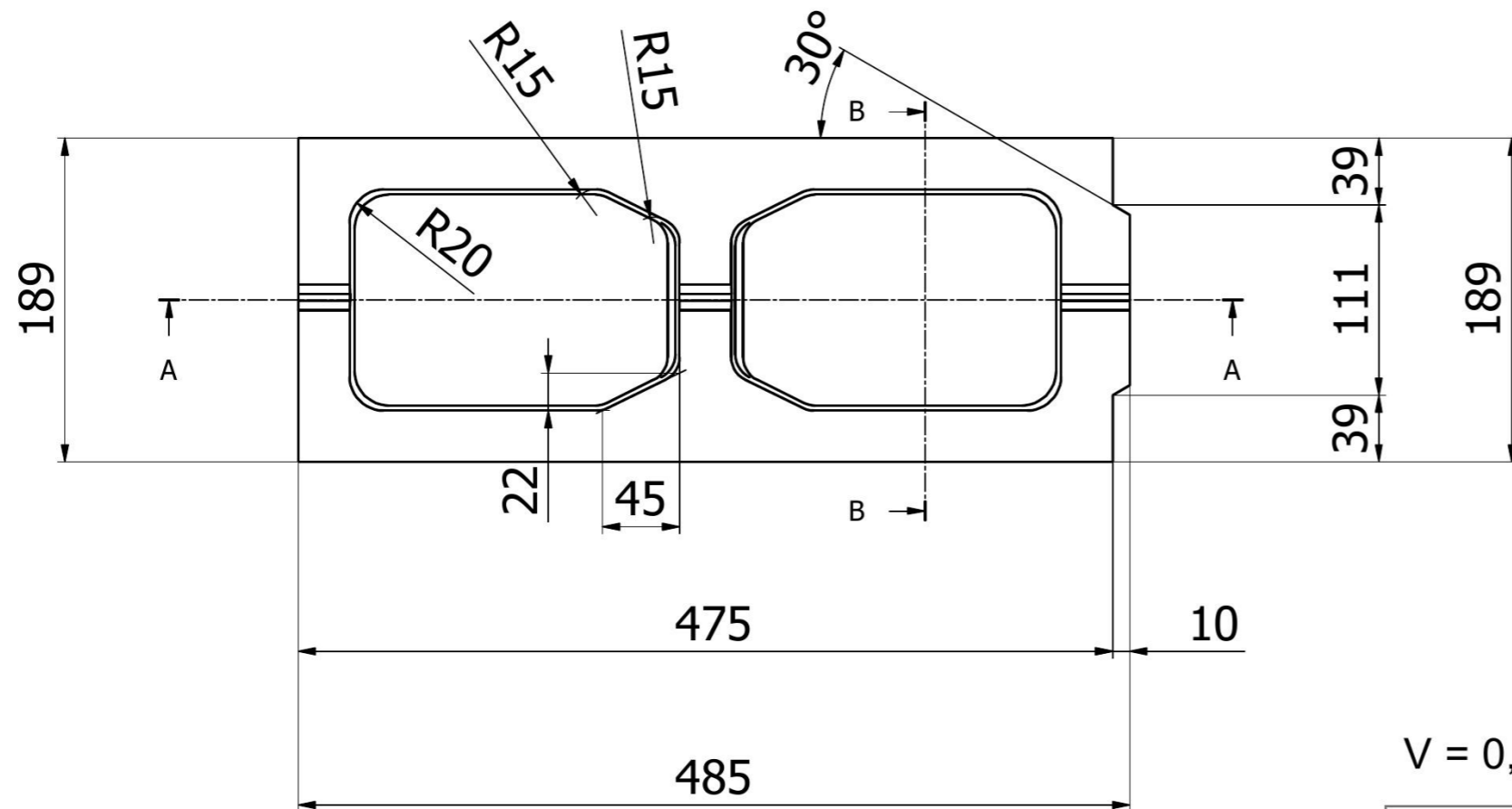
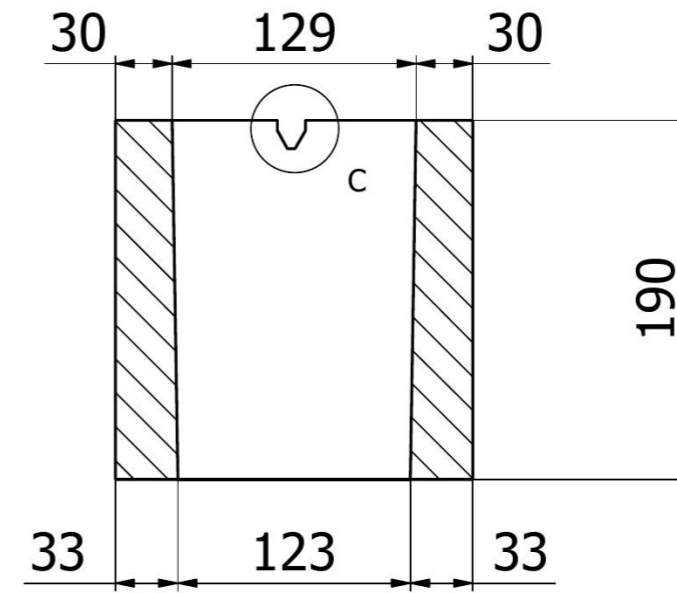
485 x 190 x 190 mm

TECHNICAL DRAWING · NOT TO SCALE

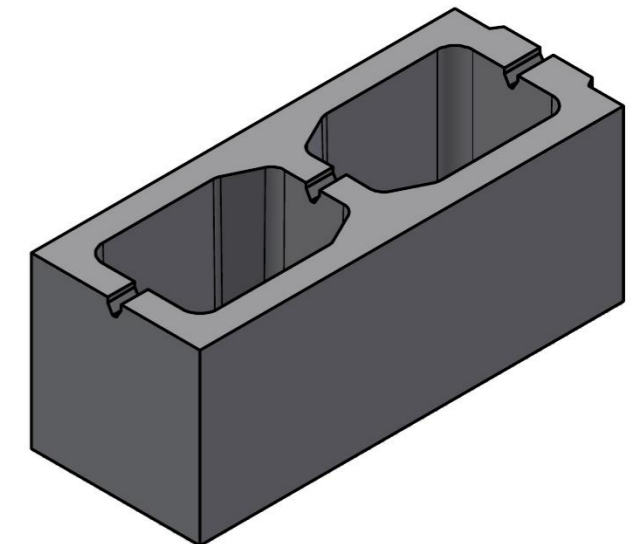
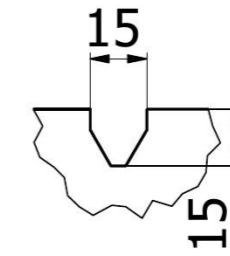
A-A (1 : 4)



B-B (1 : 4)



C (1 : 2)



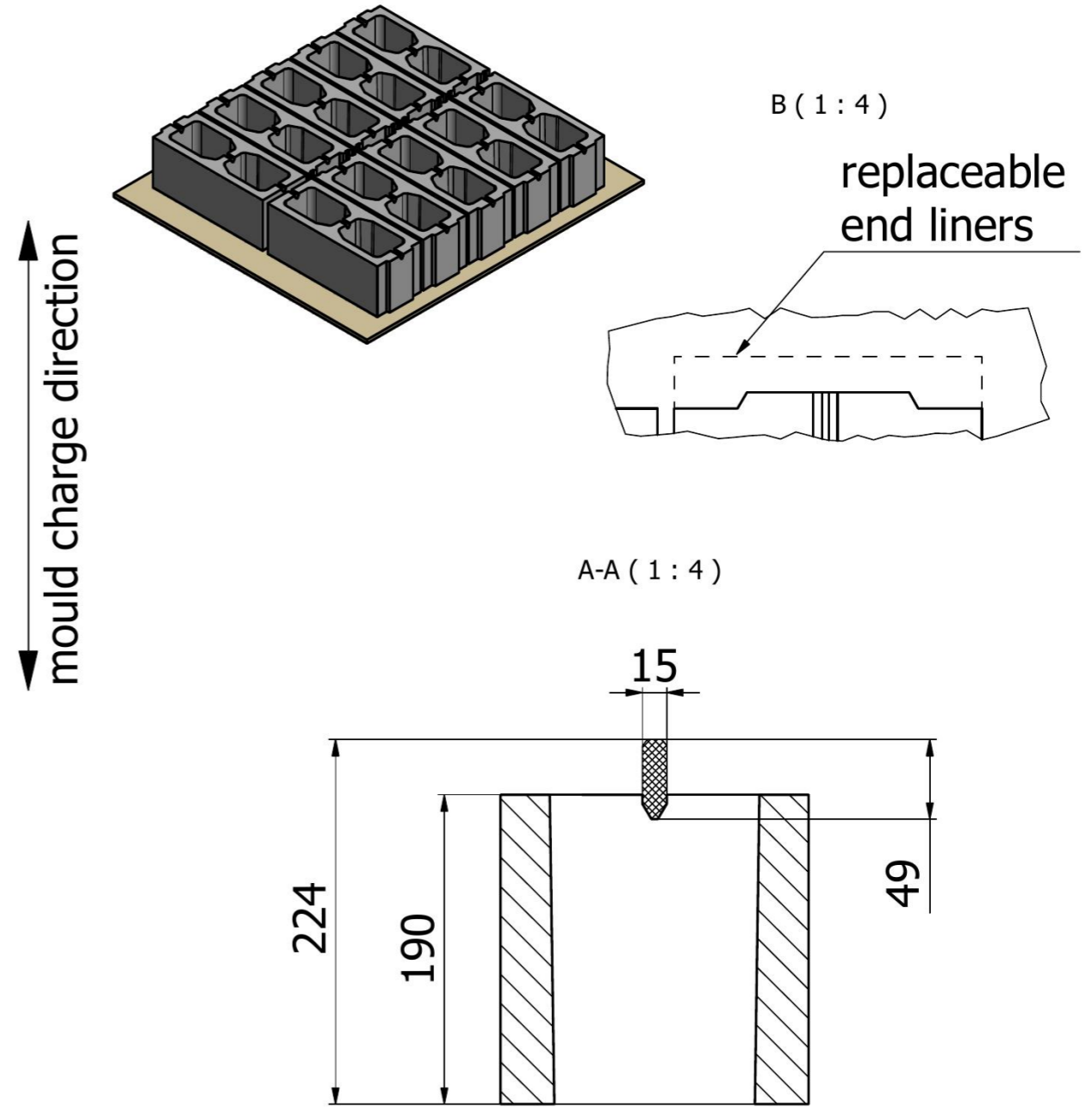
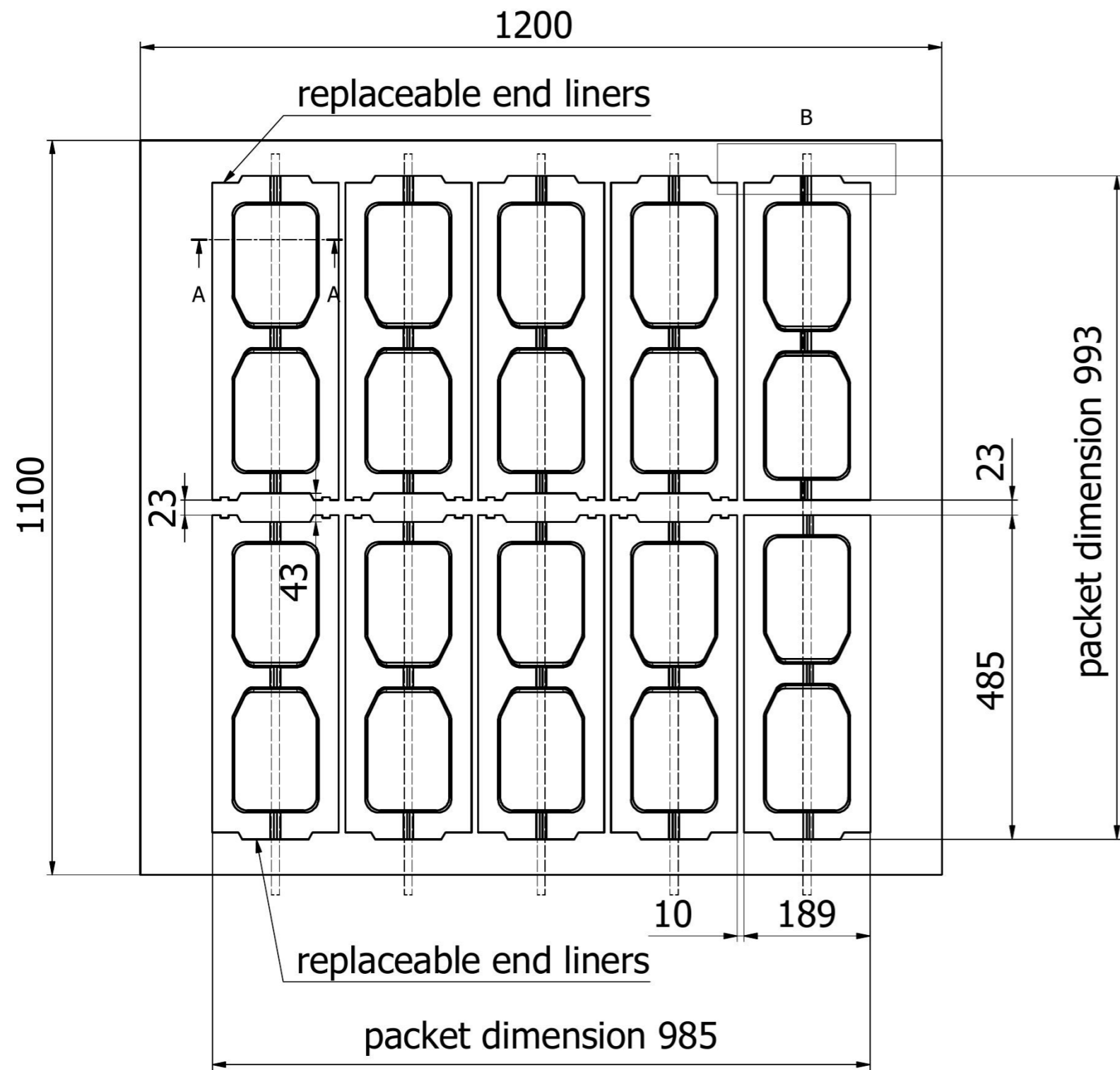
$V = 0,008609823 \text{ m}^3$



**190mm 485 Series - End Block**

485 x 190 x 190 mm

TECHNICAL DRAWING · NOT TO SCALE



Arc Stone



**190mm 485 Series - Block Layout**

485 x 190 x 190 mm

TECHNICAL DRAWING · NOT TO SCALE