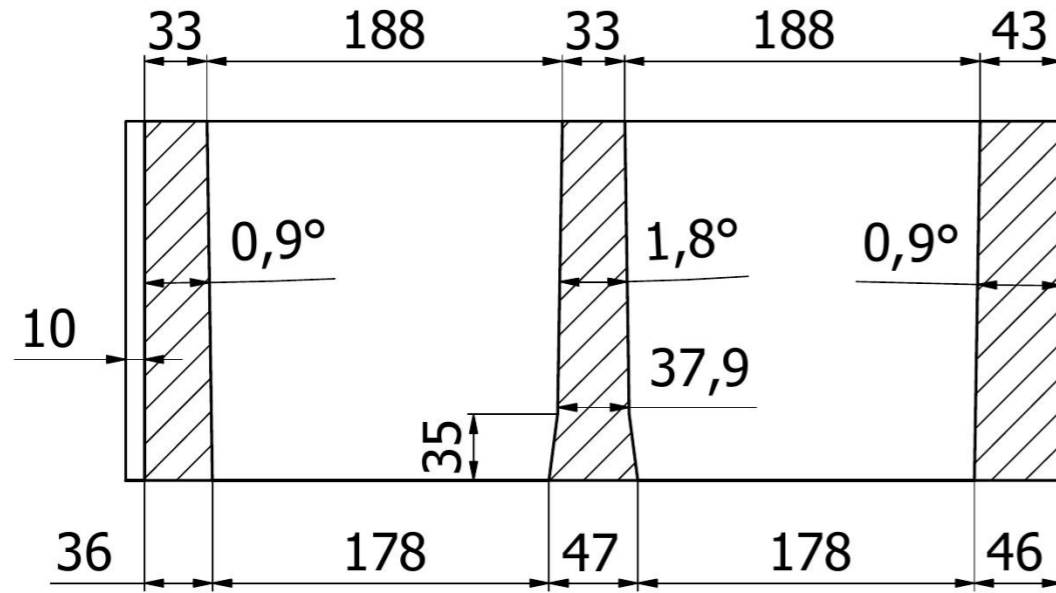
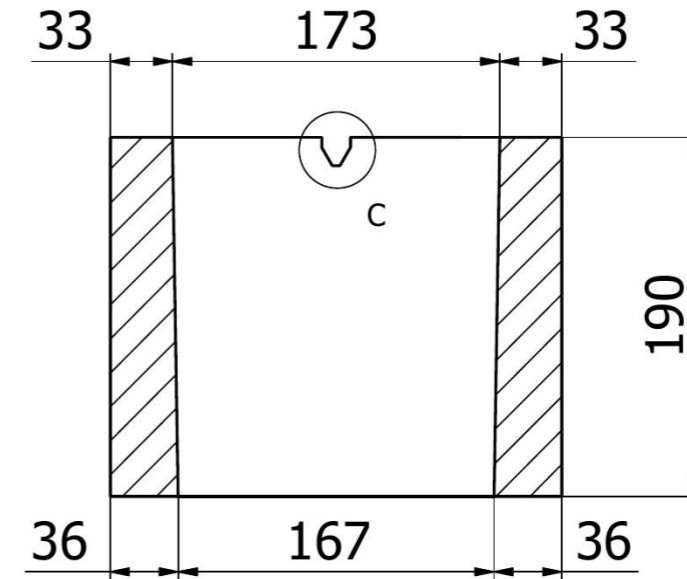


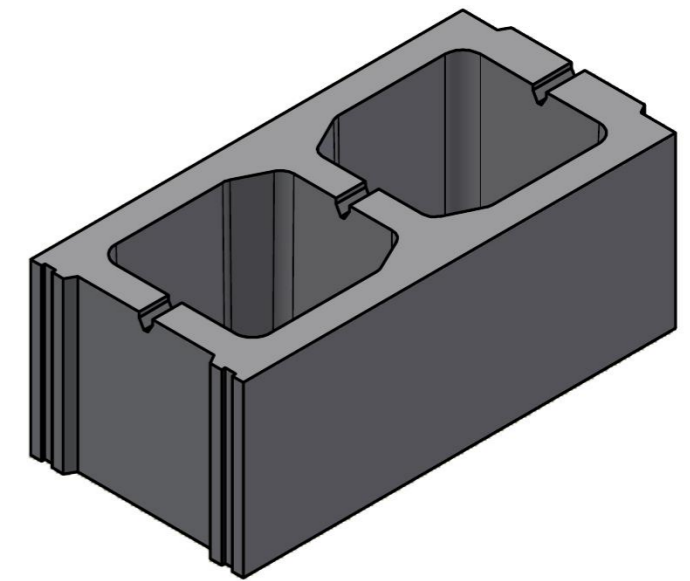
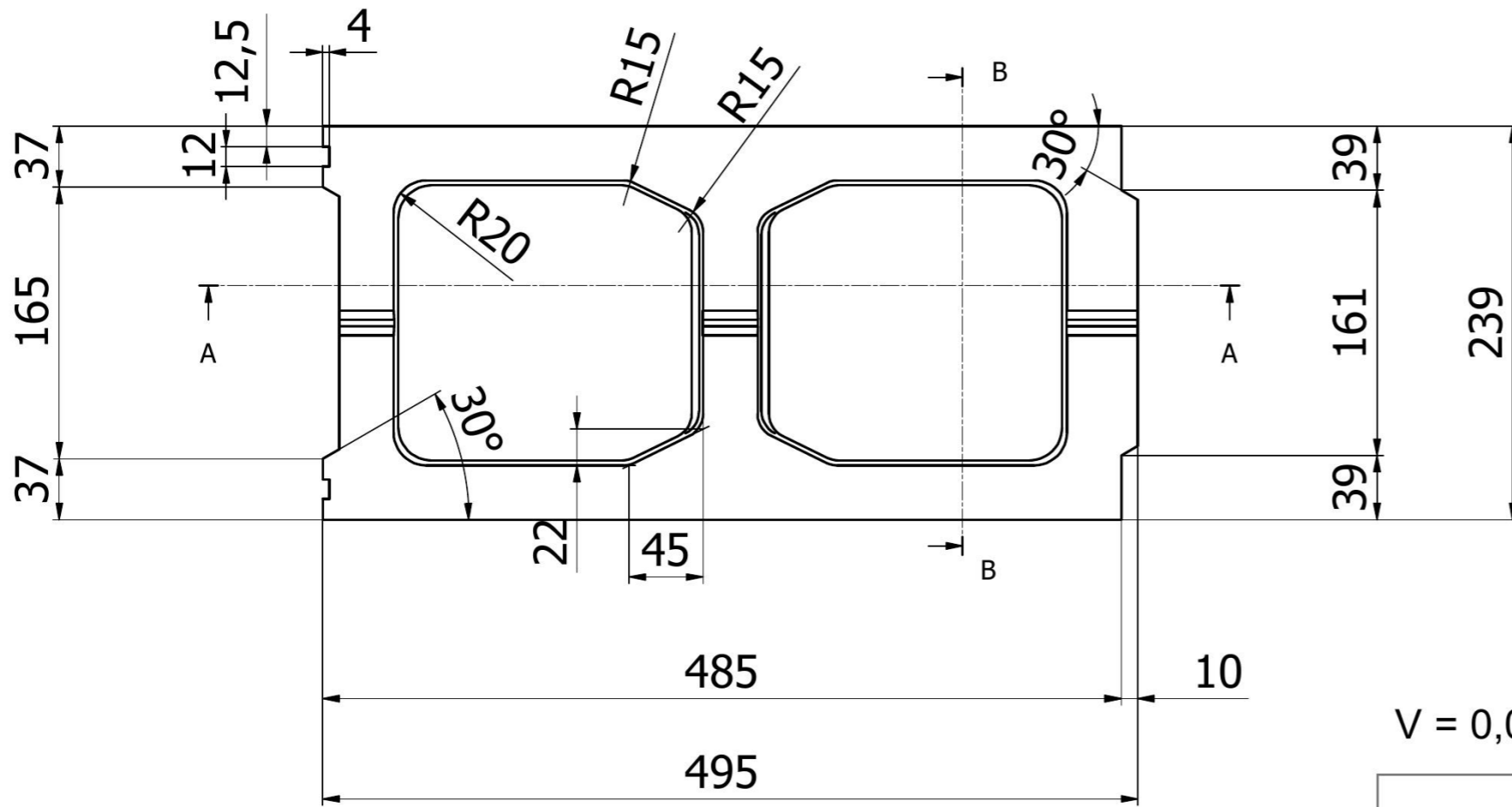
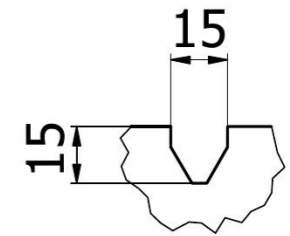
A-A (1:4)



B-B (1:4)



C (1:2)



$V = 0,009637192 \text{ m}^3$

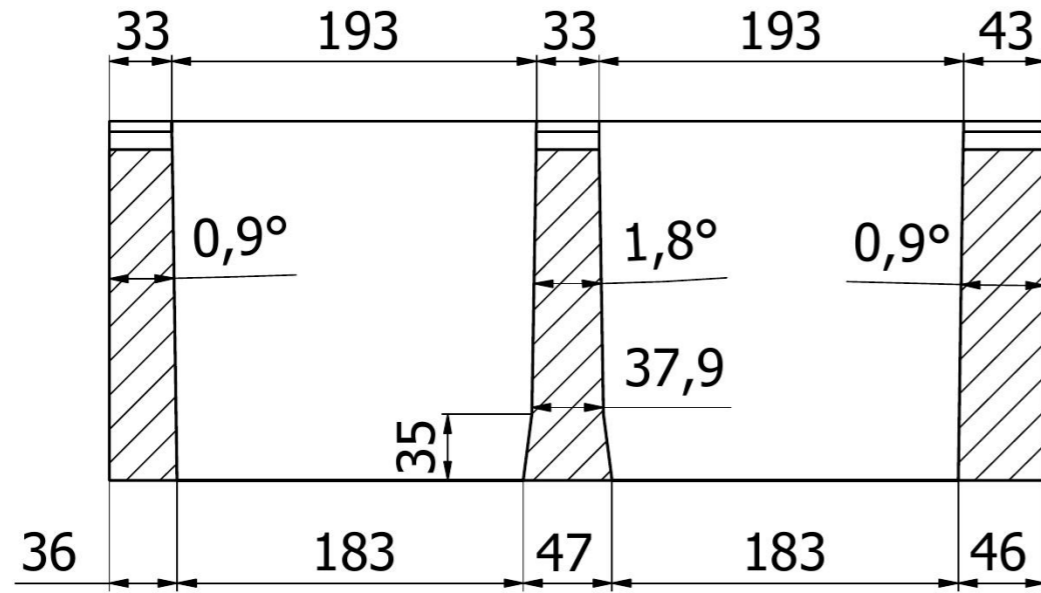


240mm 485 Series - Tongue & Groove Block

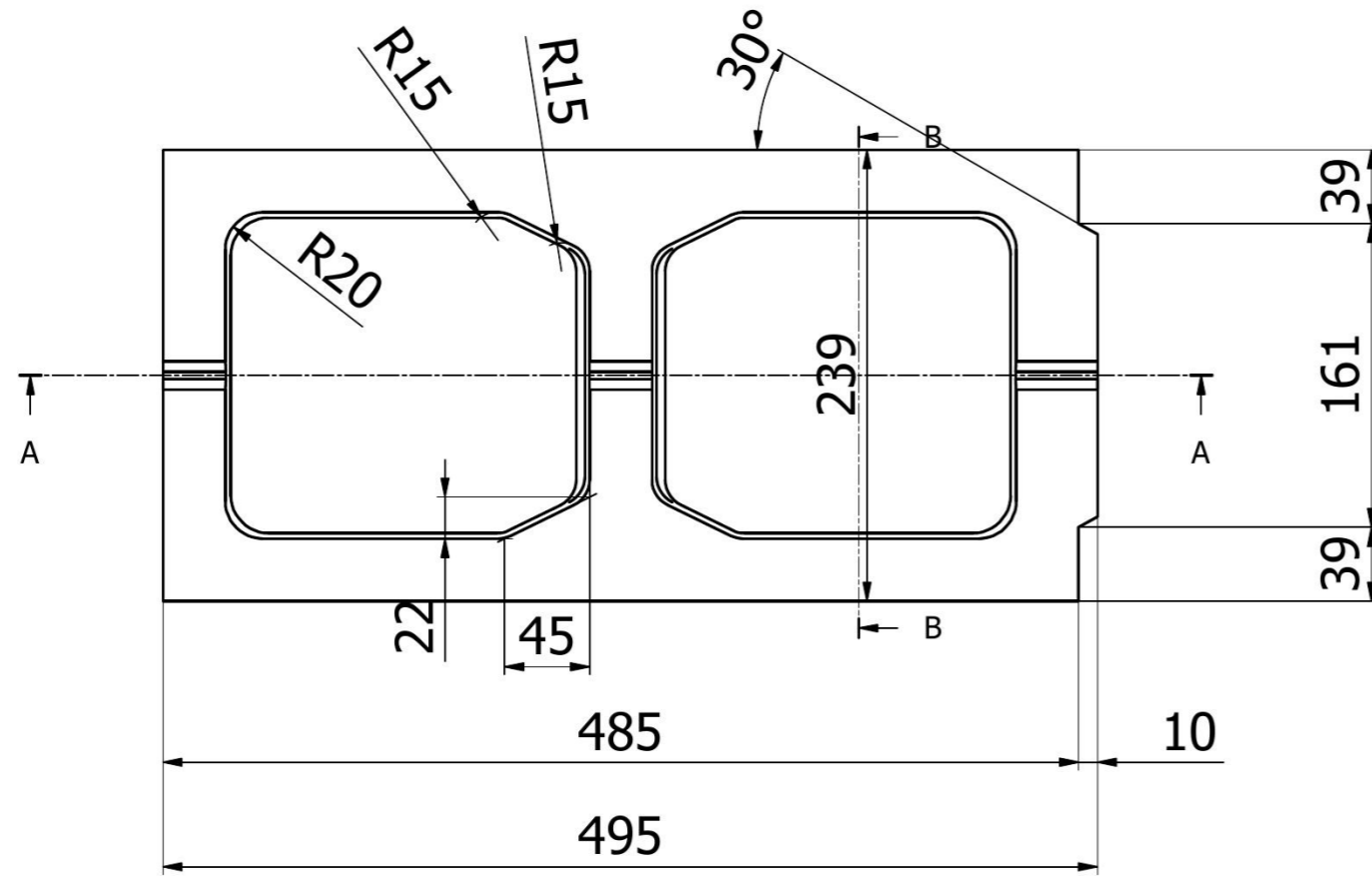
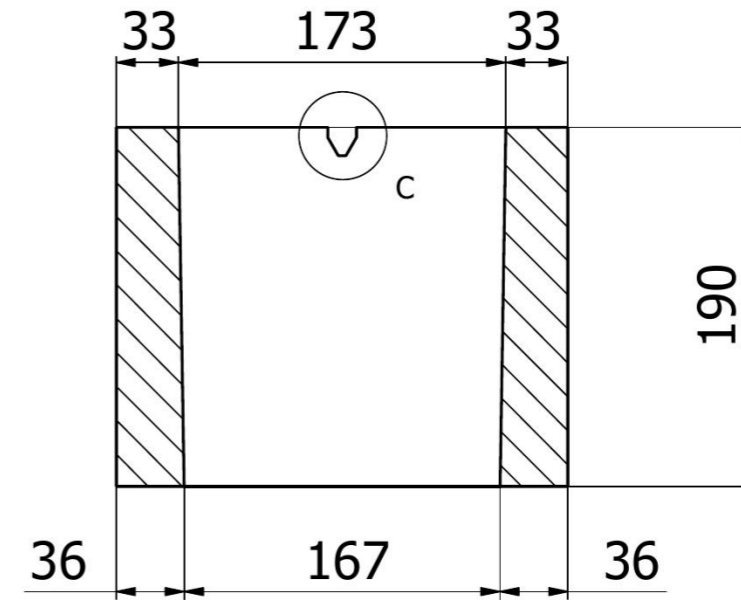
485 x 240 x 190 mm

TECHNICAL DRAWING · NOT TO SCALE

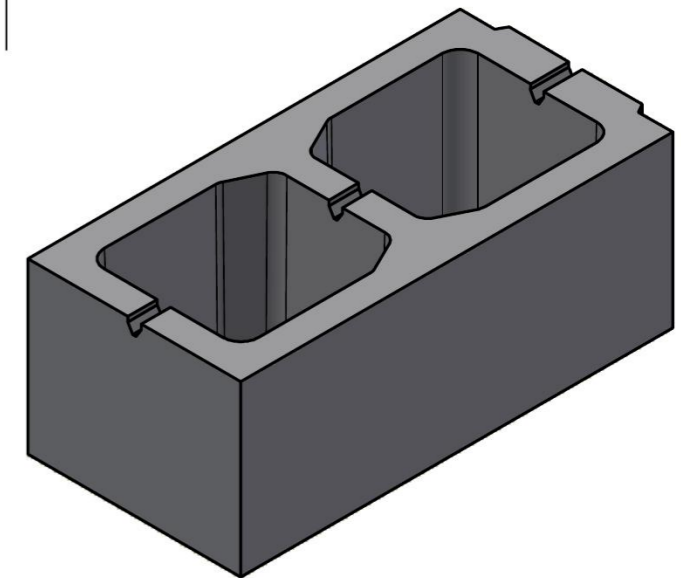
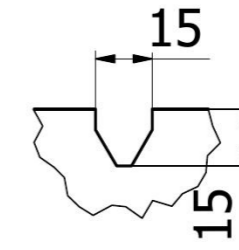
A-A (1:4)



B-B (1:4)



C (1:2)



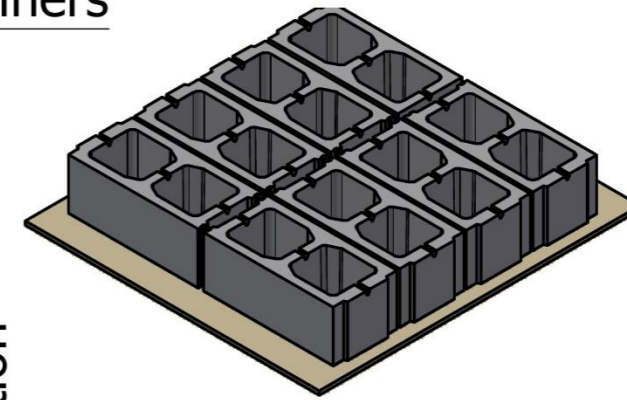
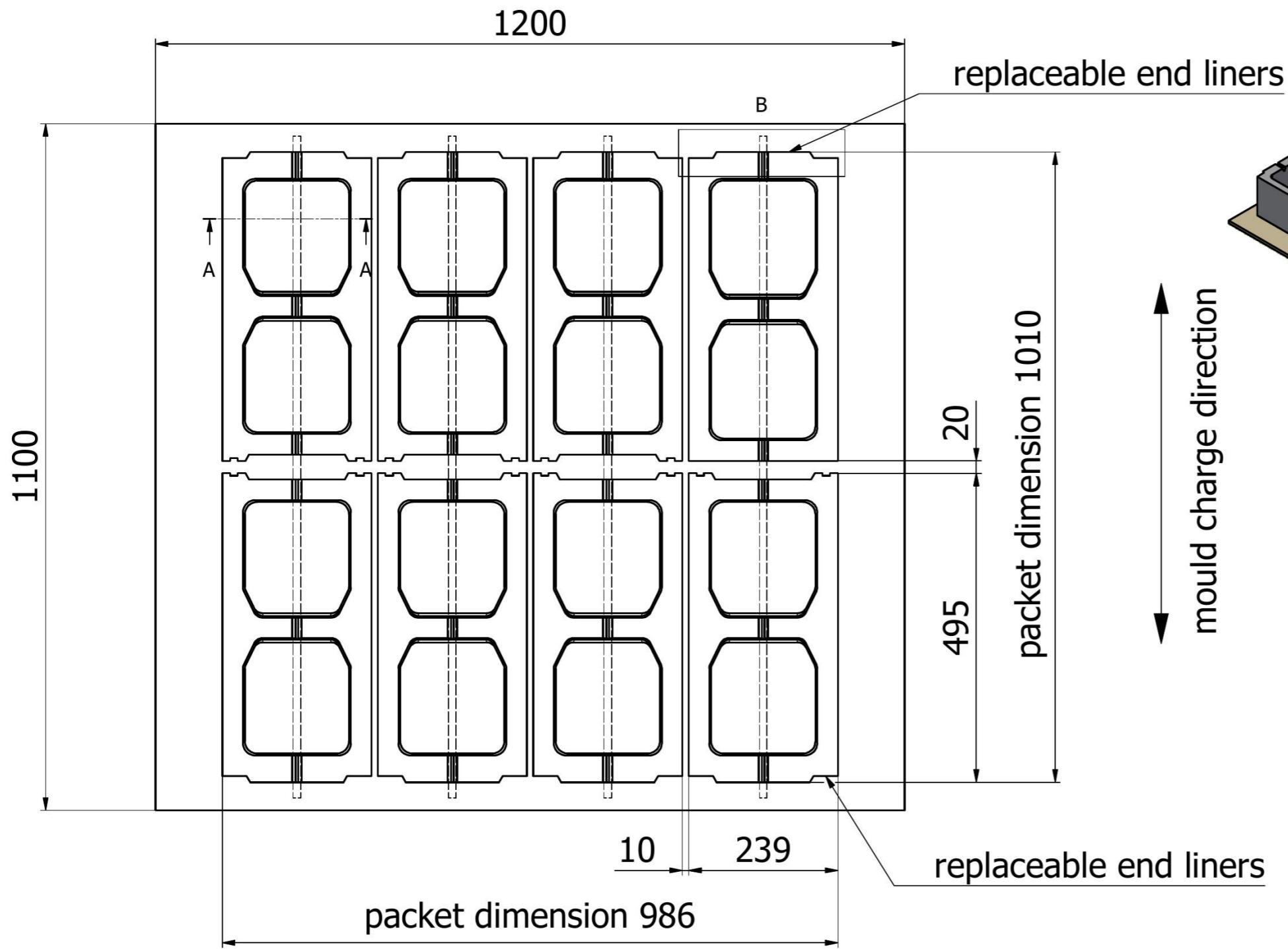
$V = 0,009623534 \text{ m}^3$



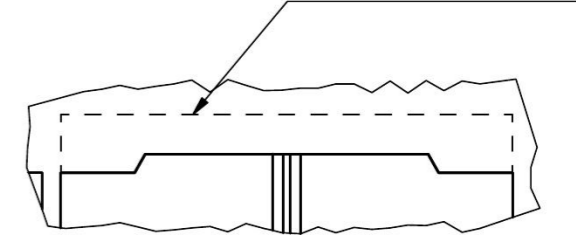
240mm 485 Series - End Block

485 x 240 x 190 mm

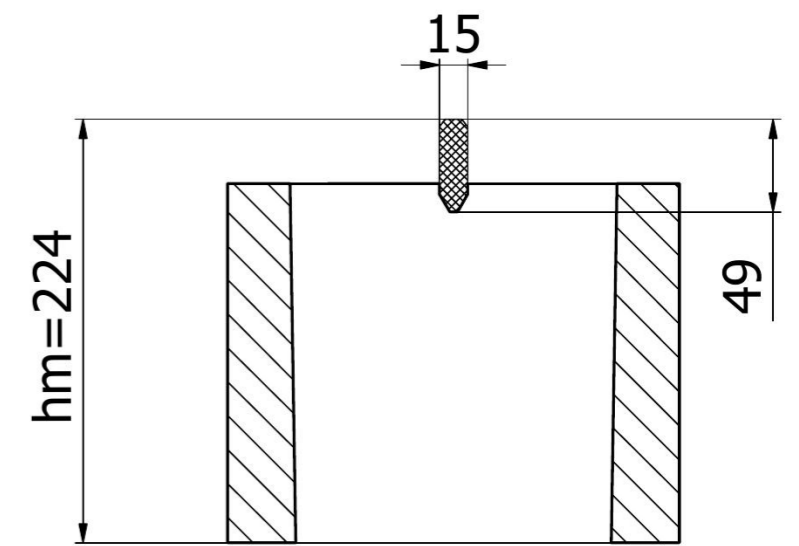
TECHNICAL DRAWING · NOT TO SCALE



B (1:4)
replaceable end liners



A-A (1:4)



240mm 485 Series - Block Layout

485 x 240 x 190 mm

TECHNICAL DRAWING · NOT TO SCALE