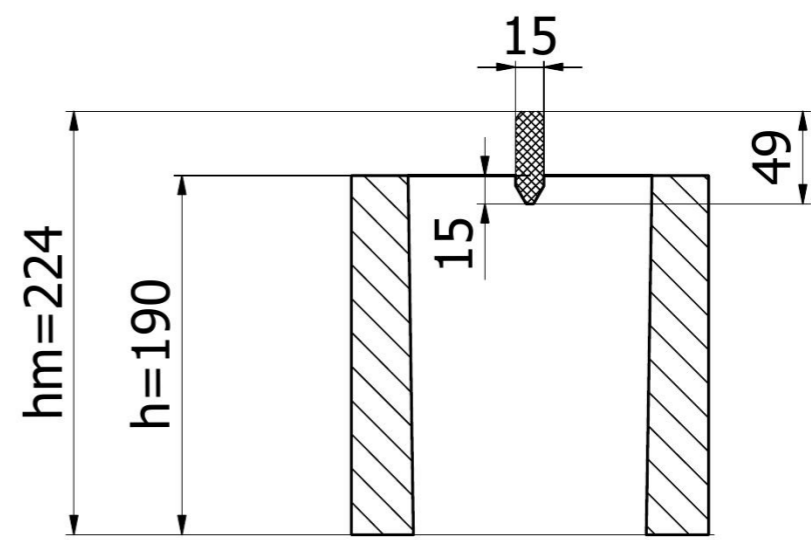


mould charge direction

A-A (1:4)



190mm 390 Series - Block Layout

390 x 190 x 190 mm

TECHNICAL DRAWING · NOT TO SCALE