

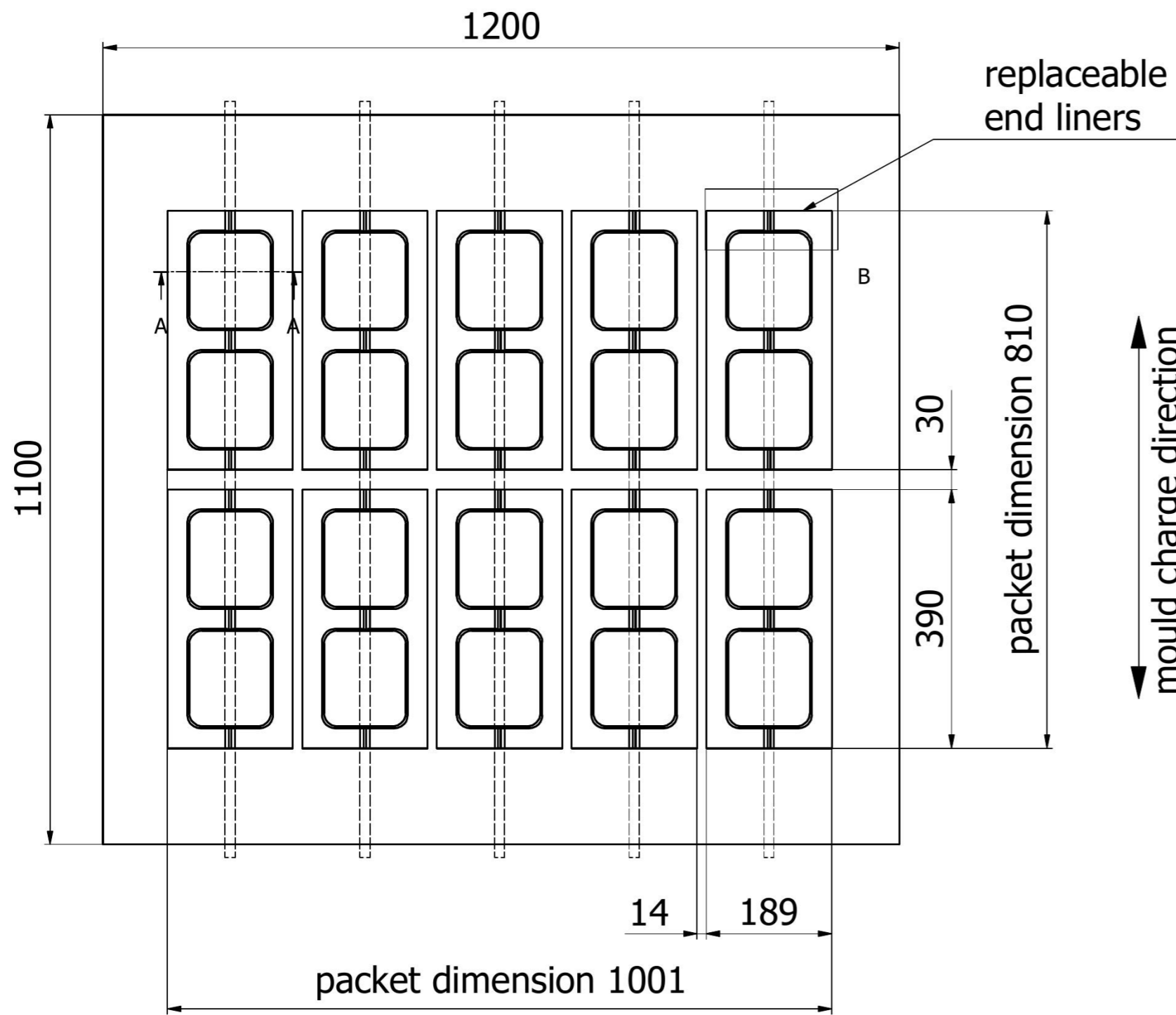
$V = 0,007654630 \text{ m}^3$



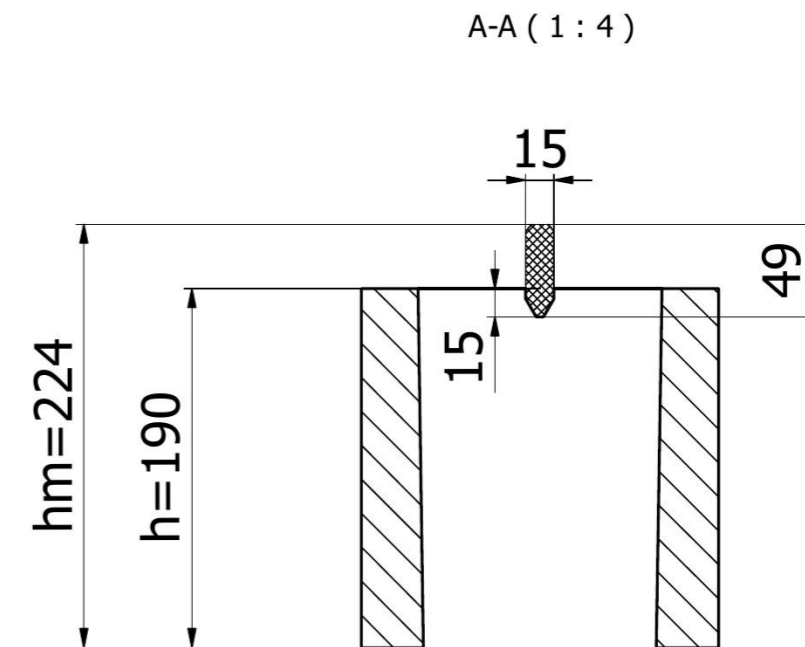
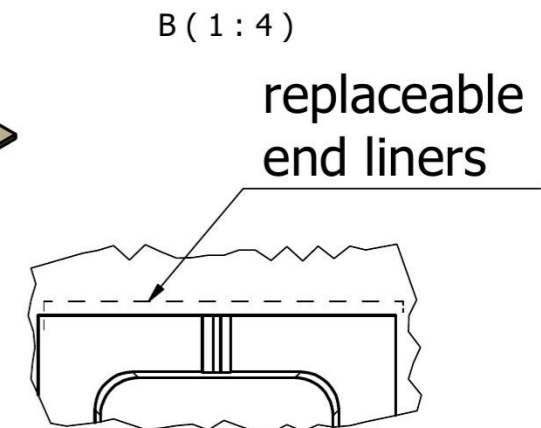
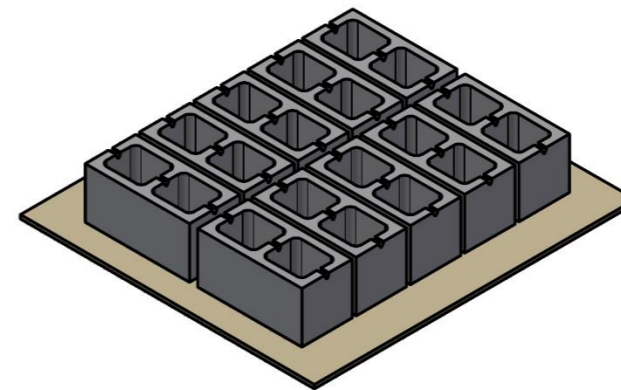
190mm 390 Series - Tongue & Groove Block

390 x 190 x 190 mm

TECHNICAL DRAWING · NOT TO SCALE



mould charge direction



190mm 390 Series - Block Layout

390 x 190 x 190 mm

TECHNICAL DRAWING · NOT TO SCALE