

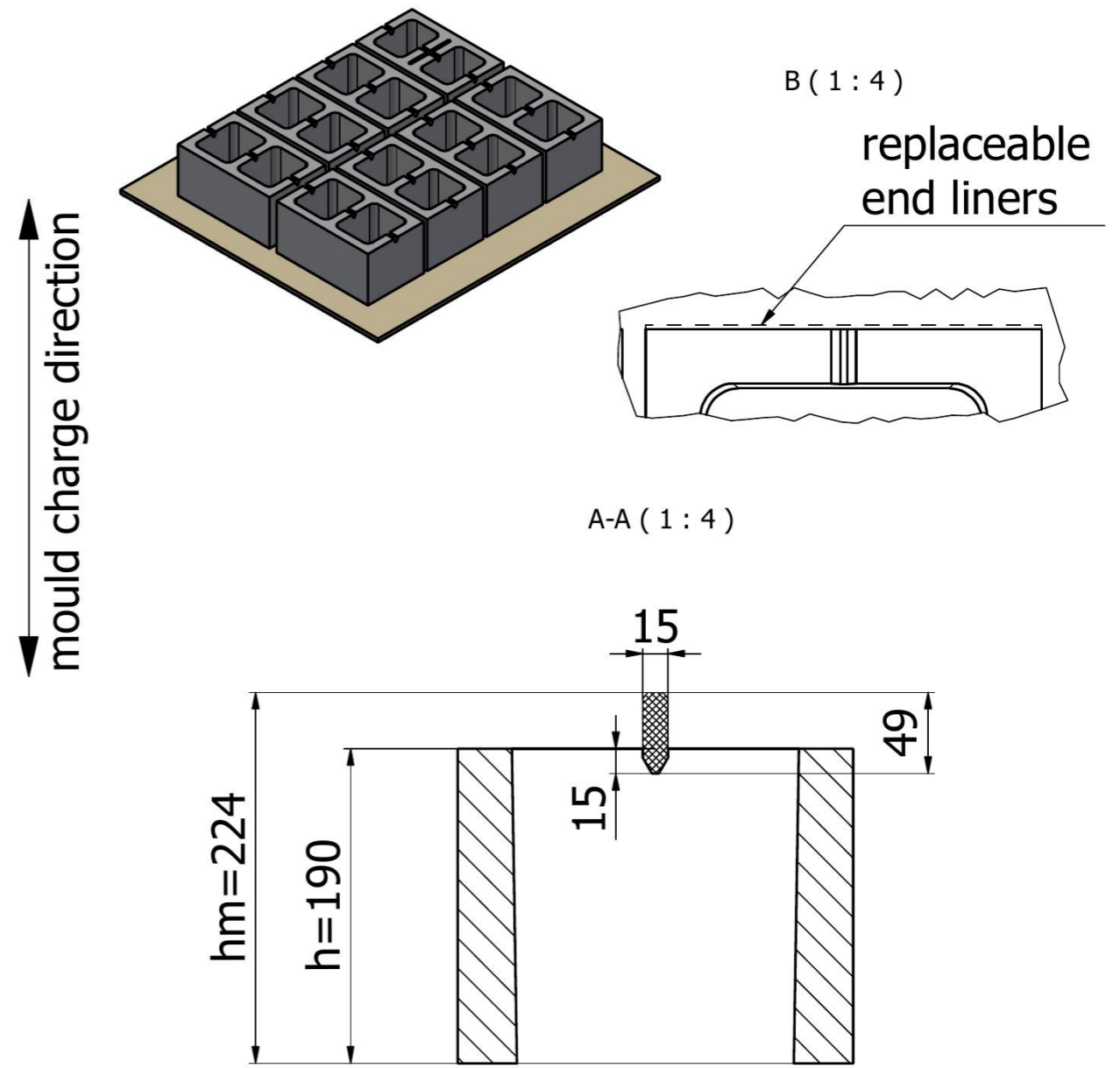
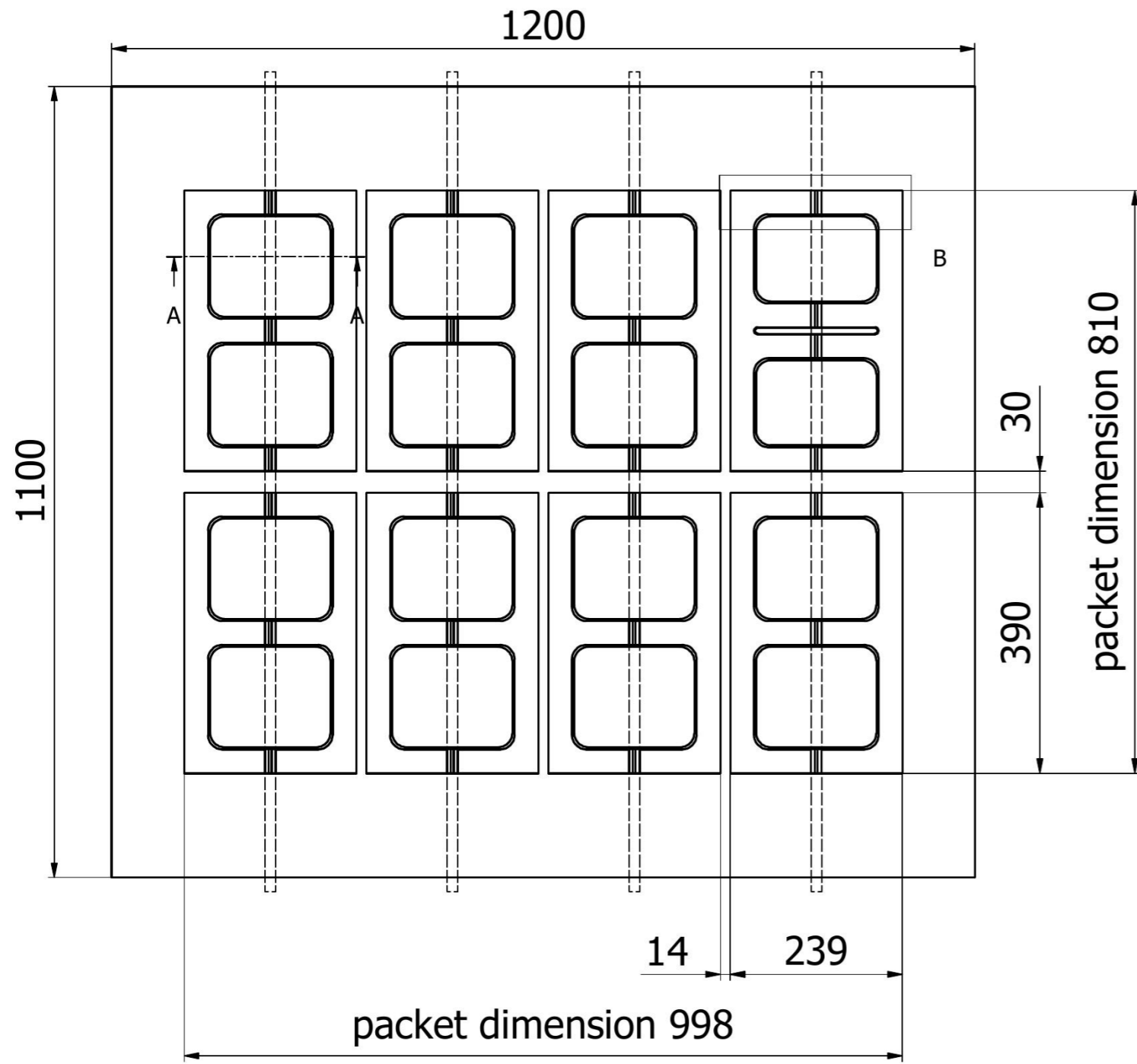
$$V = 0,008631896 \text{ m}^3$$



240mm 390 Series - Tongue & Groove Block

390 x 240 x 190 mm

TECHNICAL DRAWING · NOT TO SCALE



240mm 390 Series - Block Layout

390 x 240 x 190 mm

TECHNICAL DRAWING · NOT TO SCALE